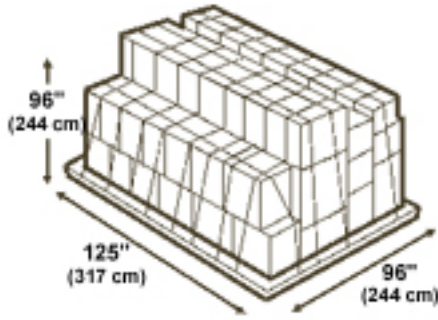


# AIRFREIGHT CONTAINER SIZES

## Main Deck Pallet

(Equivalent to IATA Type 2)

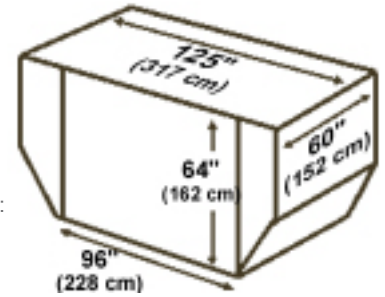
External Displacement:  
606 cu ft/17.16 cu m  
Maximum Gross Weight:  
15,000 lb/6,804 kg  
Maximum External Dimensions:  
(L x W x H) Contoured  
125" x 96" x 96"  
317cm x 244cm x 244cm



## LD-8

(Equivalent to IATA Type 6A)

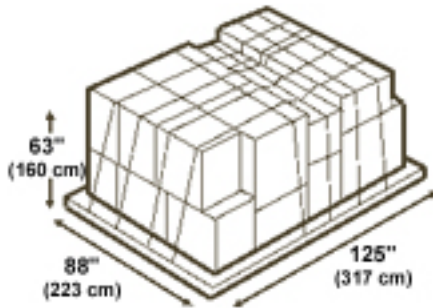
Internal Capacity:  
243 cu ft/6.9 cu m  
Maximum Gross Weight:  
5,400 lb/2,450 kg  
Maximum External Dimensions:  
(L x W x H) Contoured  
96" x 60" x 64"  
228 cm x 152 cm x 162 cm



## LD-7

(Equivalent to IATA Type 5)

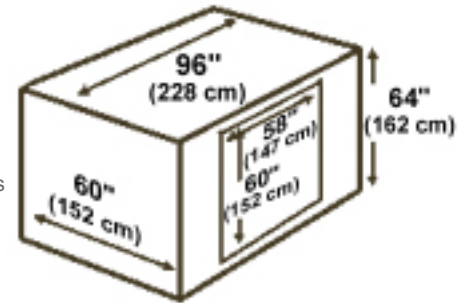
External Displacement:  
379.9 cu ft/10 cu m  
Maximum Gross Weight:  
10,200 lb/4,627 kg  
Maximum External Dimensions:  
(L x W x H) Contoured  
125" x 88" x 63"  
317 cm x 223 cm x 160 cm



## LD-4

(Equivalent to IATA Type 7A)

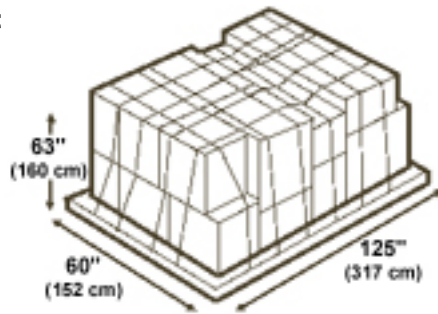
Internal Capacity:  
174 cu ft/5 cu m  
Maximum Gross Weight:  
5,400 lb/2,450 kg  
Maximum External Dimensions  
(L x W x H) Contoured  
96" x 60" x 64"  
228 cm x 152 cm x 162 cm



## P9A Lower Deck Pallet

(Equivalent to IATA Type 6)

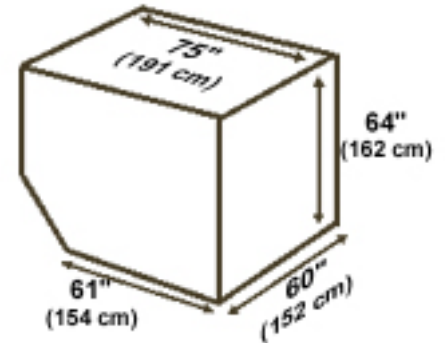
External Displacement:  
242 cu ft/6.9 cu m  
Maximum Gross Weight:  
7,000 lb/3,175 kg  
Maximum External Dimensions:  
(L x W x H) Contoured  
125" x 60" x 63"  
317 cm x 152 cm x 160 cm



## LD-3

(Equivalent to IATA Type 8)

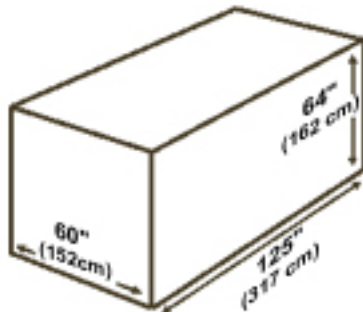
Internal Capacity:  
150 cu ft/4 cu m  
Maximum Gross Weight:  
3,500 lb/1,588 kg  
Maximum External Dimensions  
(L x W x H) Contoured  
61" x 60" x 64"  
154 cm x 152 cm x 162 cm



## LD-11

(Equivalent to IATA Type 6) □

Internal Capacity:  
242 cu ft/6.9 cu m  
Maximum Gross Weight:  
7,000 lbs/3,176 kg  
Maximum External Dimensions:  
(L x W x H) Contoured  
125" x 60" x 64"  
317 cm x 162 cm x 162 cm



## LD-2

(Equivalent to IATA Type 8D)

Internal Capacity:  
120 cu ft/3 cu m  
Maximum Gross Weight:  
2,700 lb/1,225 kg  
Maximum External Dimensions:  
(L x W x H) Contoured  
47" x 60" x 64"  
119 cm x 152 cm x 162 cm

